

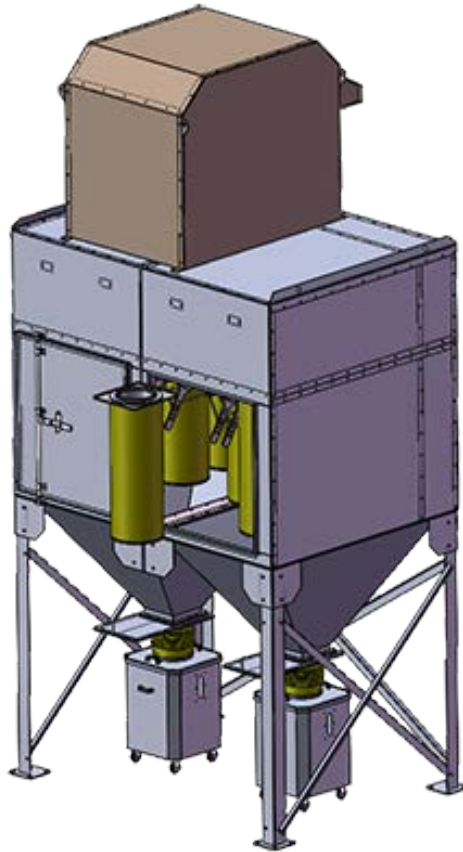


Suzhou Glorair Purifying Equipment Co., Ltd.

Nanling Industrial Park, Luyuan, Zhangjiagang, Jiangsu, China

www.IndustrialCleanAir.com www.Glorair.com

Vertical Cartridge Dust Collector



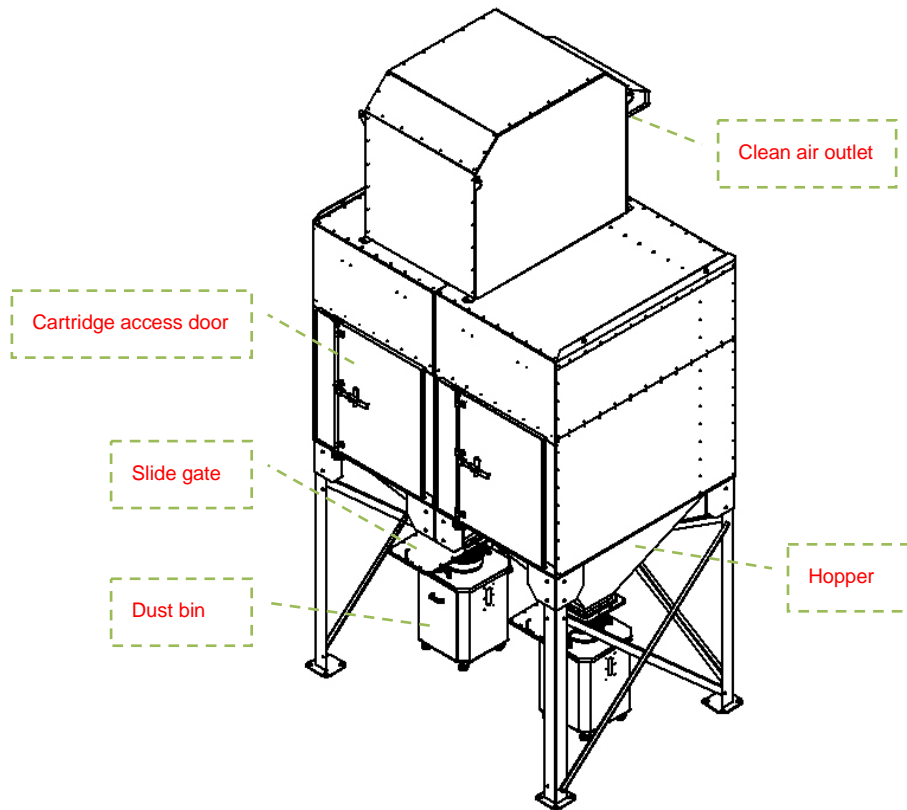
Models from 4 ~ 40 Cartridges

Product Features

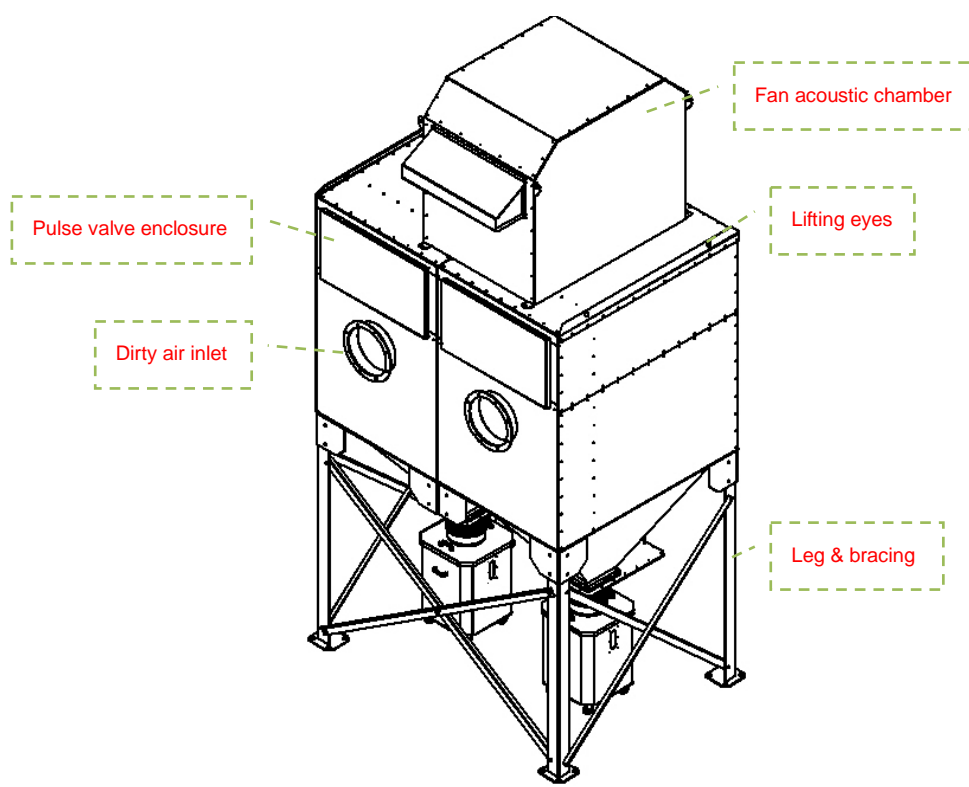
- Suitable for high dust load and higher filtration speed
- Compared to horizontal cartridge collectors, no dusts will fall from top to down cartridges
- Special downward chamber effectively knock down the large particles to hopper directly.
- Lowest system pressure ensures longest filter cartridge life
- Optimal designed pulse jet clean system
- The fan can be mounted on top of collector to save space
- Special design cartridge locking system makes cartridge change-out very easy

Vertical Cartridge Dust Collector

Dust Collector Components



Front View



Back View

Vertical Cartridge Dust Collector

Applications & Specifications

Cellulose Cartridge Application:

- Metal working
- Plasma / Laser cutting
- Shot blasting
- Mining industry
- Gas turbine inlet
- Many other dust collections

Polyester Cartridge Application:

- Metal, Wood, Chemical,
- Cement, Food, Paper,
- Pharmaceutical
- Welding Smoke
- Shot Blasting
- Foundry Dust
- Mineral Processing
-

Antistatic Filter Cartridge Application:

- Metal, Wood, Chemical,
- Cement, Food Paper, Plastic
- Shot Blasting
- Foundry Dust
- Powder, Mineral Processing

Typical Cartridges & Their Applications

Specifications

Model	Cartridge Numbers	Filter Area 1	Filter Area 2	Filter Area 3	Filter Area 4
D2-4	4	84 m ²	112 m ²	37.6 m ²	52 m ²
D2-8	8	168 m ²	224 m ²	75.2 m ²	104 m ²
D2-12	12	252 m ²	336 m ²	112.8 m ²	156 m ²
D2-16	16	336 m ²	448 m ²	150.4 m ²	208 m ²
D2-20	20	420 m ²	560 m ²	188 m ²	260 m ²
D3-6	6	126 m ²	168 m ²	56.4 m ²	78 m ²
D3-12	12	252 m ²	336 m ²	112.8 m ²	156 m ²
D3-18	18	378 m ²	504 m ²	169.2 m ²	234 m ²
D3-24	24	504 m ²	672 m ²	225.6 m ²	312 m ²
D3-30	30	630 m ²	840 m ²	282 m ²	390 m ²
D4-8	8	168m ²	224 m ²	75.2 m ²	104m ²
D4-16	16	336m ²	448 m ²	150.4 m ²	208 m ²
D4-24	24	504 m ²	672 m ²	225.6 m ²	312 m ²
D4-32	32	672 m ²	896 m ²	300.8 m ²	416 m ²
D4-40	40	840 m ²	1120 m ²	376 m ²	520 m ²

Filter area 1: Cellulose cartridges, size 324X660

Filter area 2: Cellulose cartridges, size 324X915

Filter area 3: Polyester cartridges, size 324X660

Filter area 4: Polyester cartridges, size 324X915

Vertical Cartridge Dust Collector

Standard & Optional Components

Standard Components

- Cartridge filter chamber
- Clean air chamber
- Cellulose cartridge filters
- Hopper
- Slide gate
- Dust bin and hose
- Pulse valve
- Compressed air manifold
- Timer board controller
- Prime and surface painting

Optional Components

- Other material cartridge filter
- Access platform
- Explosion vents
- Pulse on demand controller
- Rotary valve
- Centrifugal fan
- Fan acoustic chamber
- Fan exhaust silencer
- Fan control cabinet