

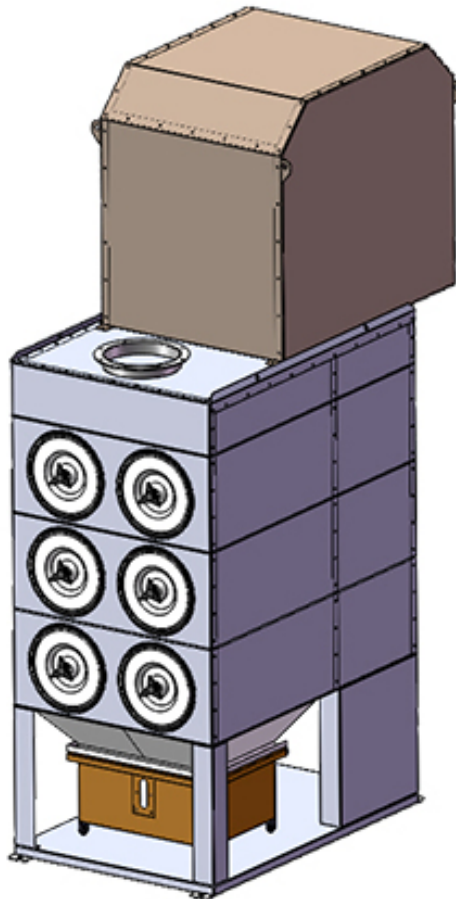


Suzhou Glorair Purifying Equipment Co., Ltd.

Nanling Industrial Park, Luyuan, Zhangjiagang, Jiangsu, China

www.IndustrialCleanAir.com www.Glorair.com

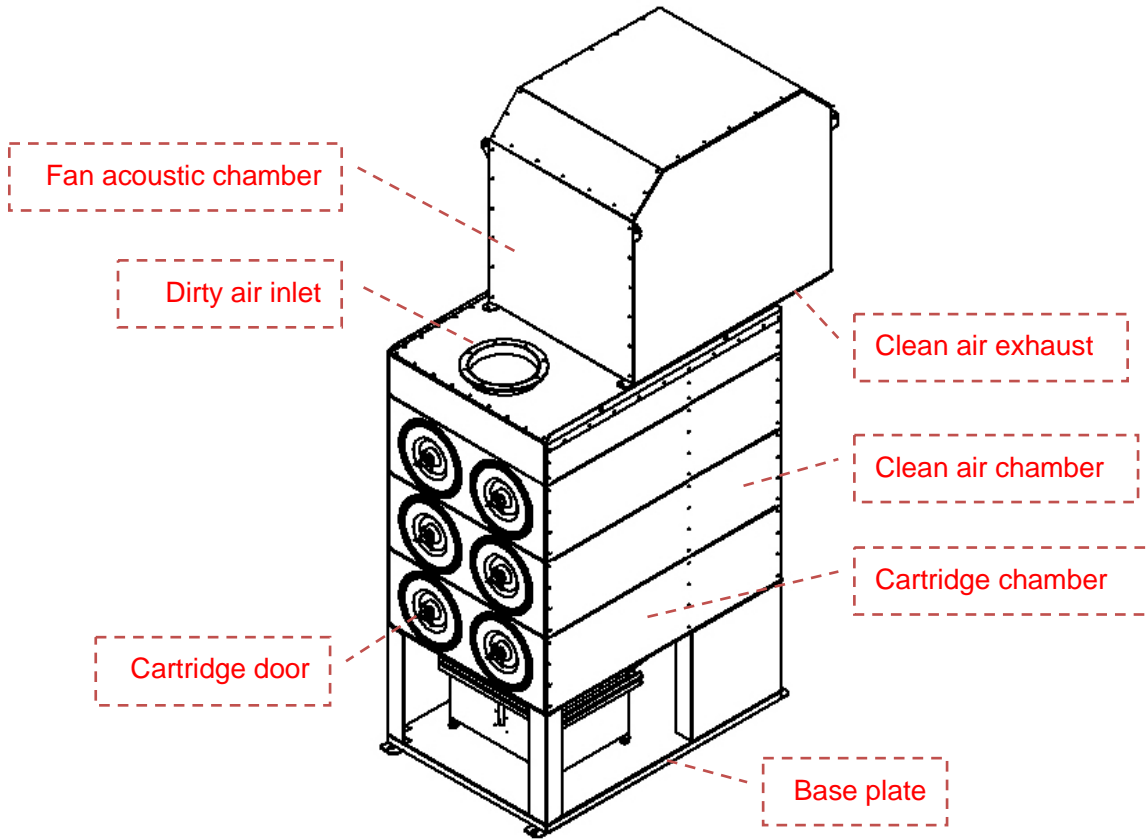
Small Cartridge Dust Collector



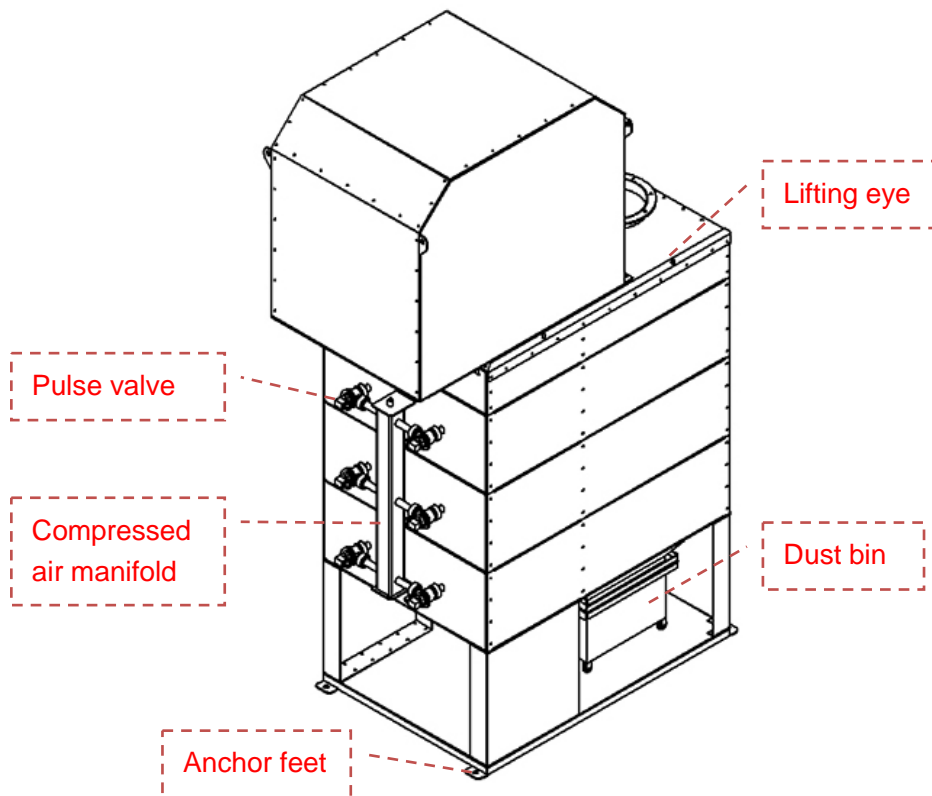
- Modular design and bolt on structure make prompt manufacturing and fast delivery
- Compact structure to save floor space; Standard space requirement: 1200mm * 1800mm
- Standard equipped with full automatic pulse jet clean, top mounted fan and remote control cabinet.
- Special designed deflector plates greatly reduce the dusts falling from top cartridges to down cartridges. Ensuring longest cartridge filter life.
- Most of the components have been installed before delivery. Minimum installation required on site. The unit can run immediately after wired and ducted.
- Standard fan acoustic chamber available to control the fan noise below 74dB.
- Optional built-in air compressor is available so that no external compressed air is required.
- Special venturi and supersonic injection nozzles achieve the premium pulse cleaning effects on filters.
- Spark trap chamber and explosion vents are available as optional components.

Small Cartridge Dust Collector

Main Components



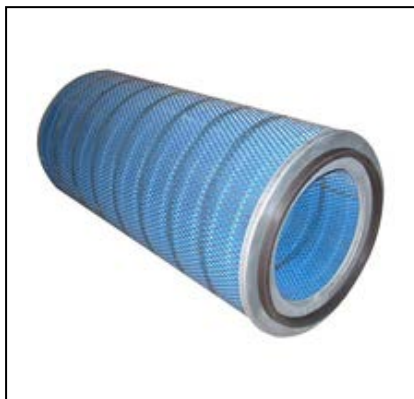
Front View



Back View

Small Cartridge Dust Collector

Typical Cartridges & Applications



Cellulose Cartridge

Application:

- Metal working
- Plasma / Laser cutting
- Shot blasting
- Mining industry
- Gas turbine inlet
- Many other dust collections



Spun Bond Polyester Cartridge

Application:

- Metal, Wood, Chemical,
- Cement, Food, Paper,
- Pharmaceutical
- Welding Smoke
- Shot Blasting
- Foundry Dust
- Mineral Processing



Antistatic Filter Cartridge

Application:

- Metal, Wood, Chemical,
- Cement, Food Paper, Plastic
- Shot Blasting
- Foundry Dust
- Powder, Mineral Processing



Cartridge with PTFE Membrane

Application:

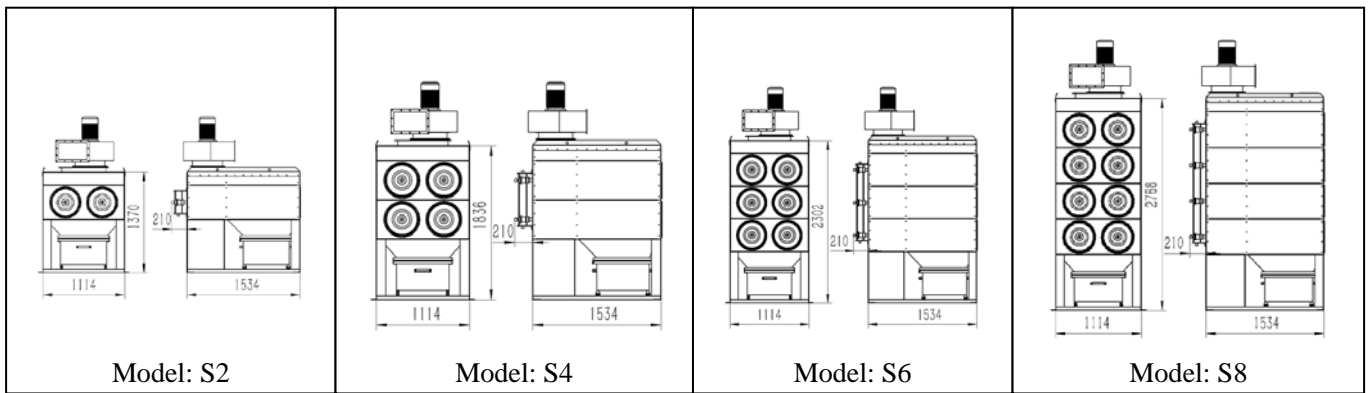
Filtration of very, very fine dust types in Chemical, Pigment, Al-pulver Welding Fume, Pharmaceutical and other sticky agglomerative dust collections

Small Cartridge Dust Collector

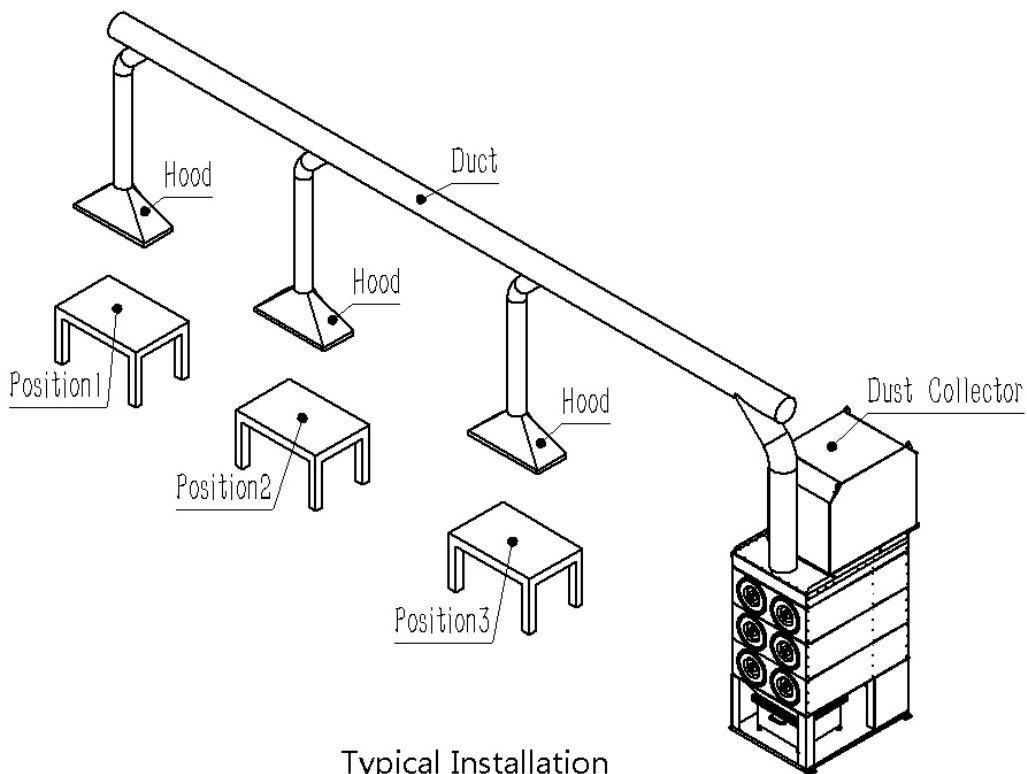
Models & Specifications

Model	Cartridges	Polyester Filter Area	Cellulose Filter Area	Airflow	Fan
S2	2 pcs	30.00 M2	64.00 M2	1800~2400 CMH	3~4.0 Kw
S4	4 pcs	60.00 M2	128.00 M2	3600~4800 CMH	5.5~7.5 Kw
S6	6 pcs	90.00 M2	192.00 M2	5400~7200 CMH	11 Kw
S8	8 pcs	120.00 M2	256.00 M2	7200~9600 CMH	11~15 Kw

Outer Dimensions (Excluding Fan)



Typical Installations



Small Cartridge Dust Collector

Standard Components

- Cartridge chamber
- Clean chamber
- Cellulose cartridge filters
- Hopper
- Supporting legs
- Dust bin
- Pulse valves
- Compressed air manifold
- Pulse valve controller
- Differential pressure gauge
- Powder coating finish

Optional Components

- Other media cartridge filter
- Centrifugal fan
- Fan control cabinet
- Fan acoustic chamber
- Explosion vent
- Pulse on demand controller
- Spark arrestor
- Industrial enamel coating
- Skid mount base