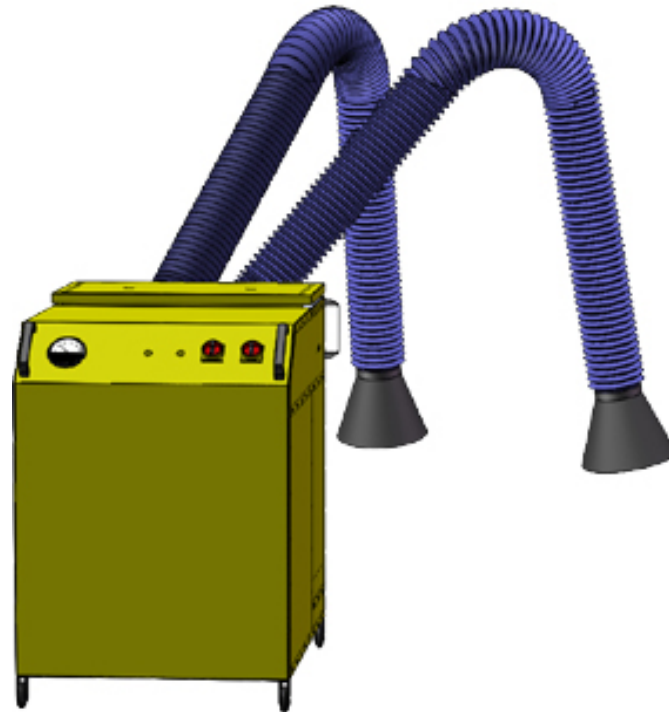




# Suzhou Glorair Purifying Equipment Co., Ltd.

Nanling Industrial Park, Luyuan, Zhangjiagang, Jiangsu, China  
[www.IndustrialCleanAir.com](http://www.IndustrialCleanAir.com) [www.Glorair.com](http://www.Glorair.com)

## Mobile Dust Collector



### A Mobile Dust Collector Not Only for Light Fume Extraction

- A multi-purpose mobile cartridge dust collector, suitable for scattered working positions and intermittent dust collections.
- Widest applications with powerful extraction; Not only for welding fume, but also for large dust collections for cutting, grinding, powder filling, weighing, packing and others.
- Installed with large size filter cartridges. Filter efficiency more than 99%.
- Both manual and full automatic pulse clean system available.
- For manual clean, no need to take out the cartridge filters from units.
- Optional built-in air compressor. No need for external compressed air supply.
- Standard support for extraction hose with unlimited length; Optional extraction arm, 2m~4m long.
- Completed with fan starter, pulse clean starter and pressure gauge to monitor the filter cartridges.

# Mobile Cartridge Dust Collector

## Applications



Welding Fume

Cutting Fume

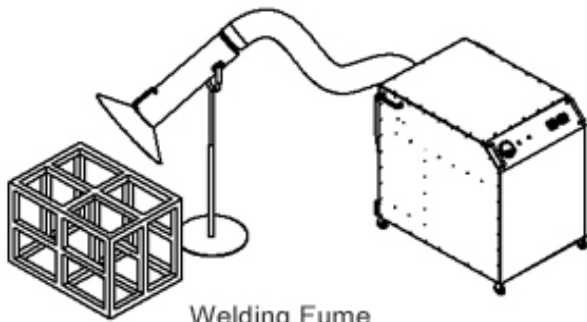
Grinding/Buffering

Powder Canning

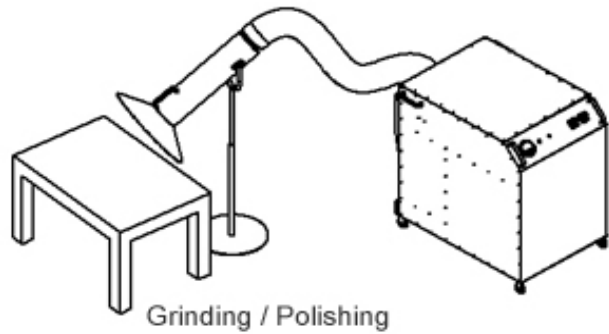
Weighing

Powder Packing

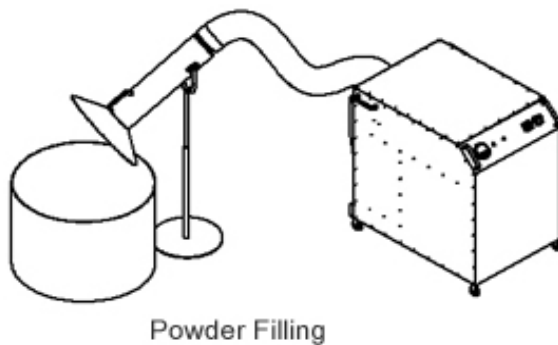
## Typical Installations



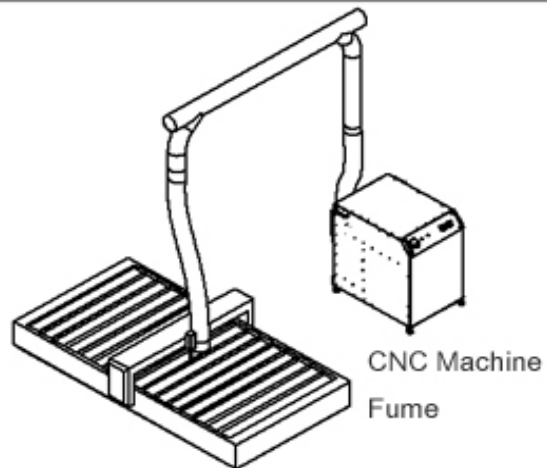
Welding Fume



Grinding / Polishing



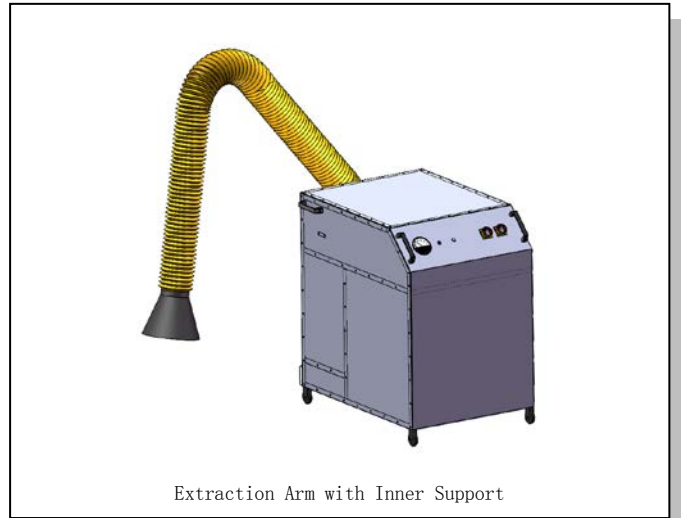
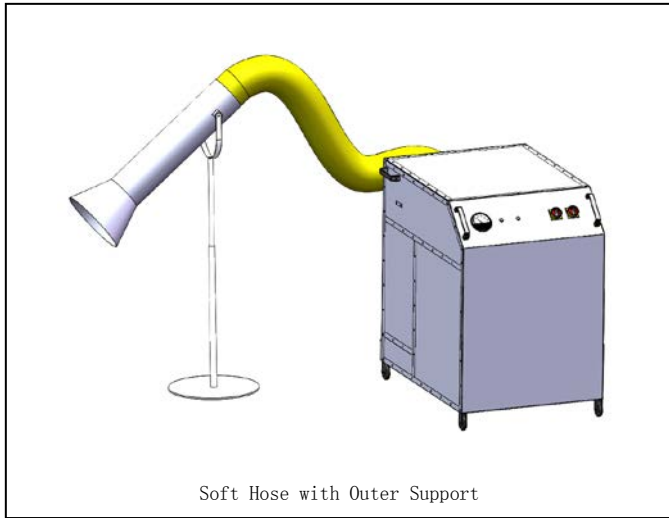
Powder Filling



CNC Machine  
Fume

# Mobile Cartridge Dust Collector

## Dust Extraction Method



## Model & Specifications

Model	Cartridges	Filter Area	Airflow	Fan	Filter Cleaning	Dust Extraction
Y10	2 pcs	32.00 M <sup>2</sup>	2200 CMH	2.2 Kw	Manual Compressed Air Clean	Soft Hose or Extraction Arm
Y20	2 pcs	42.00 M <sup>2</sup>	3400 CMH	3.0 Kw	Full Automatic Pulse Jet Clean	Soft Hose or Extraction Arm

## Outer Dimensions

