



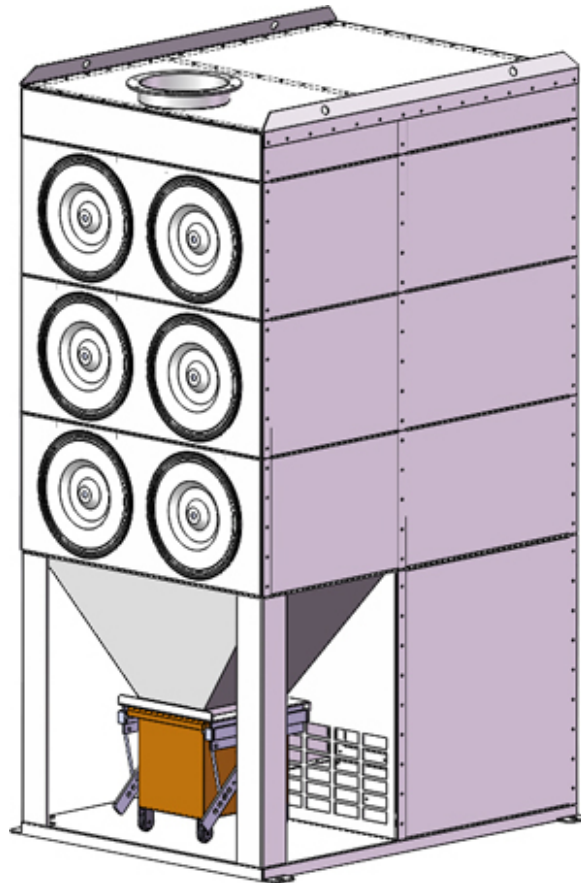
Suzhou Glorair Purifying Equipment Co., Ltd.

Add: Nanling Industrial Park, Luyuan, Zhangjiagang, Jiangsu, China

Tel: +86 512 58536632 Fas: +86 512 58536639

Website (EN) www.industrialcleanair.com (CN) www.glorair.com

Small Cartridge Dust Collector

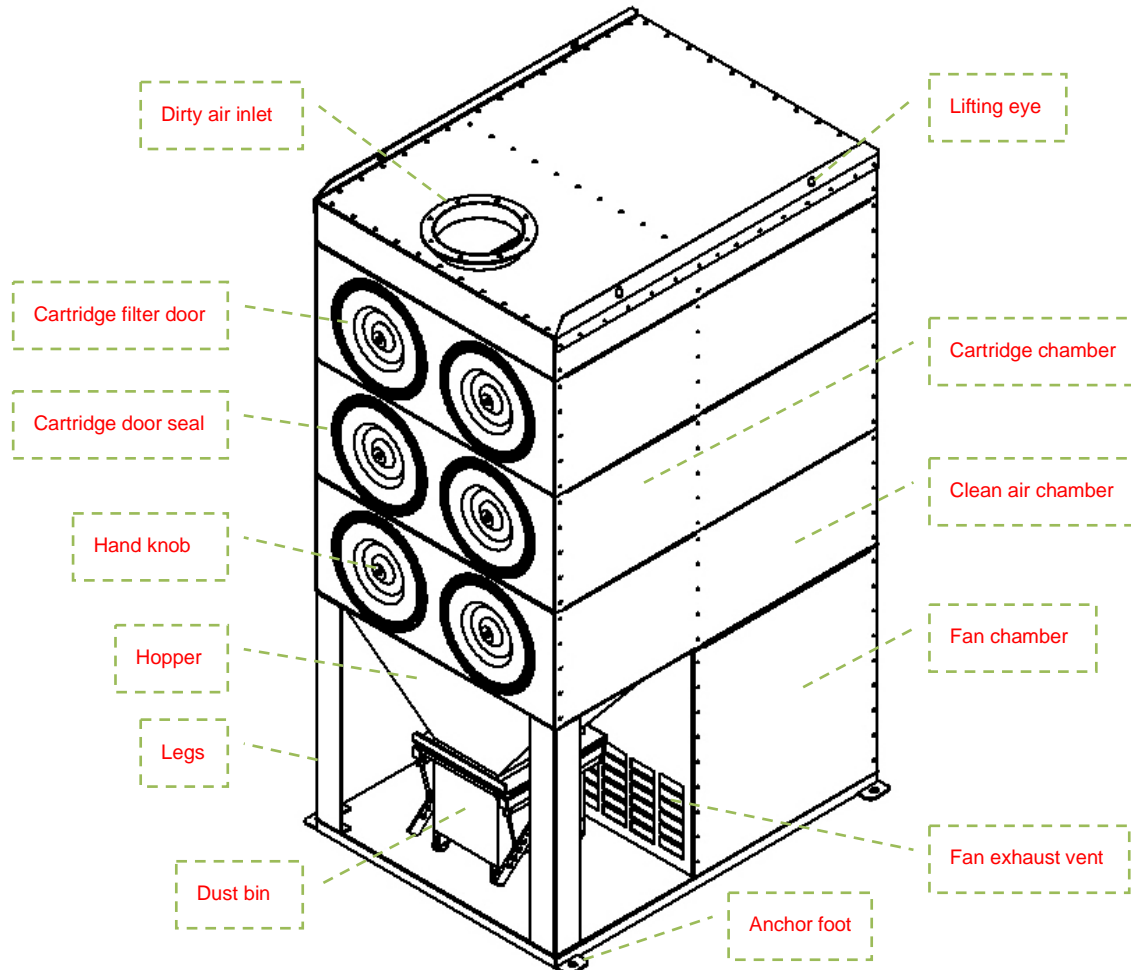


Self-contained Collector with 2~8 Cartridges

- Modular design and bolt assembling make prompt manufacturing and delivery
- Compact structure to save floor space; Standard space requirement: 1200mm * 1800mm
- Built-in fans, fan starter, pulse valve, controller and pressure gauges are standard components for the dust collector.
- No installation required on site. All the components have been installed before delivery. The unit can run immediately after wired and ducted.
- Optional built-in air compressor is available. No external compressed air supply is required.
- Choose various types of filter media for various types of dust collections.
- Specially designed venturi and supersonic injection nozzles improve the pulse clean on filters and increase their service lives significantly
- The cartridge filters can be replaced from outside of dust collector. Easy and clean.

Small Cartridge Dust Collector

Main Components



Standard Operating Conditions:

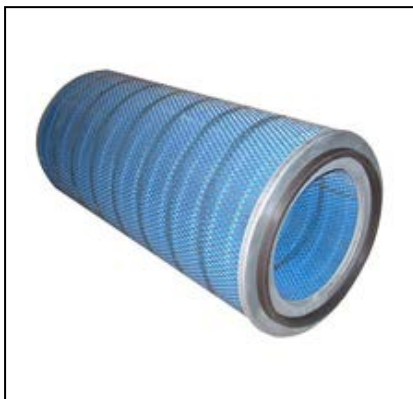
- Seismic Rating (zone): 4
- Wind Load Rating (Km/h): 160
- Housing Rating (Pa): +3800 / -5000
- Valves and controls: 50/60 KHz
- Compressed Air Required (MPa): 0.62-0.67
or (90-100 psig)

Steel Construction:

- Material: Carbon steel, Stainless steel or Galvanized steel

Small Cartridge Dust Collector

Typical Cartridges & Applications



Cellulose Cartridge

Application:

- Metal working
- Plasma / Laser cutting
- Shot blasting
- Mining industry
- Gas turbine inlet
- Many other dust collections



Spun Bond Polyester Cartridge

Application:

- Metal, Wood, Chemical,
- Cement, Food, Paper,
- Pharmaceutical
- Welding Smoke
- Shot Blasting
- Foundry Dust
- Mineral Processing



Antistatic Filter Cartridge

Application:

- Metal, Wood, Chemical,
- Cement, Food Paper, Plastic
- Shot Blasting
- Foundry Dust
- Powder, Mineral Processing



Cartridge with PTFE Membrane

Application:

Filtration of very, very fine dust types in Chemical, Pigment, Al-pulver Welding Fume, Pharmaceutical and other sticky agglomerative dust collections

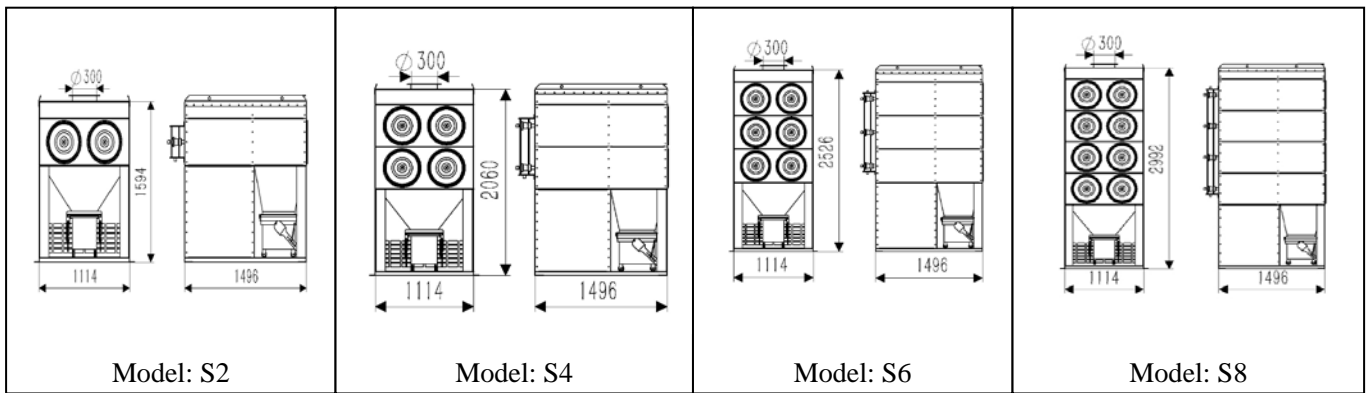
Small Cartridge Dust Collector

Models & Specifications

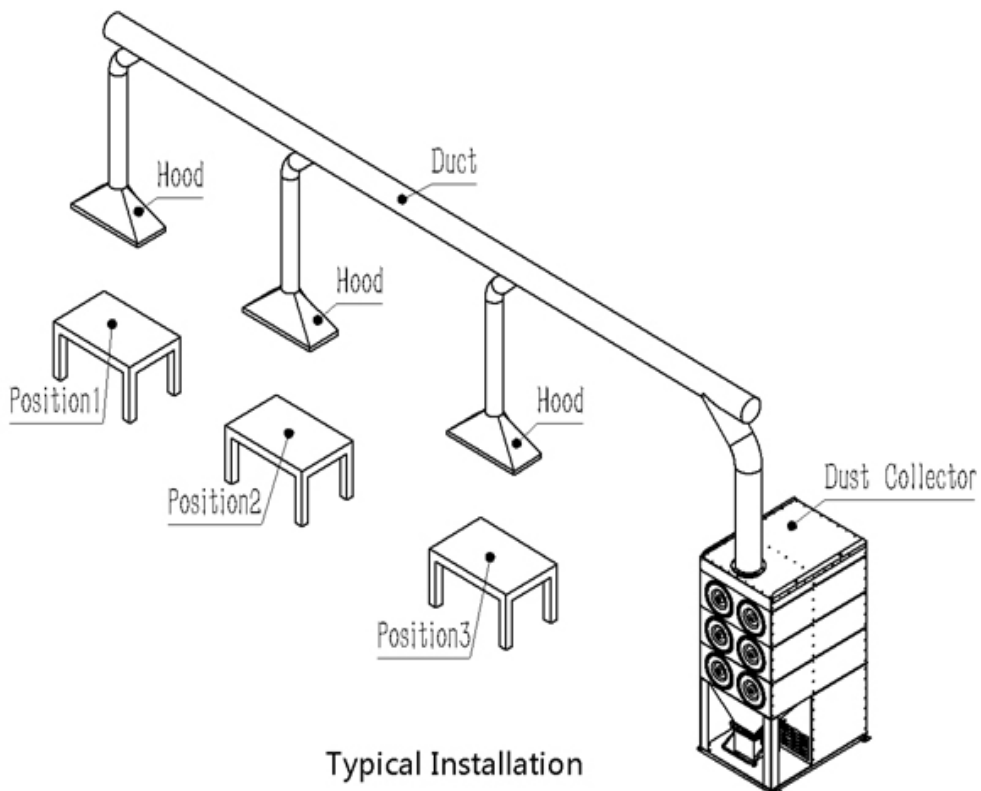
Model	Cartridges	Filter Area*	Pulse Valves	Airflow	Fan
S2	2 pcs	1) 42.00 M2 2) 18.80 M2	2 pcs	1600 CMH	4.0 Kw
S4	4 pcs	1) 84.00 M2 2) 37.60 M2	4 pcs	3200 CMH	5.5 Kw
S6	6 pcs	1) 126.00 M2 2) 56.40 M2	6 pcs	4800 CMH	7.5 Kw
S8	8 pcs	1) 168.00 M2 2) 75.20 M2	8 pcs	6400 CMH	11 Kw

* 1) Cellulose filter media 2) Spun bond polyester filter media

Outer Dimensions



Typical Installations



Small Cartridge Dust Collector

Standard Components

- Cartridge filter chamber
- Clean air chamber
- Fan chamber
- Centrifugal fan
- Cellulose cartridge filters
- Hopper
- Supporting legs
- Dust bin
- Pulse valves
- Compressed air tank
- Pulse valve controller
- Differential pressure gauge
- Prime and top coatings

Optional Components

- Other media cartridge filter
- Fan acoustic chamber
- Explosion vent
- Fan control cabinet
- Differential pressure controller
- Powder coating finish
- Epoxy top coating